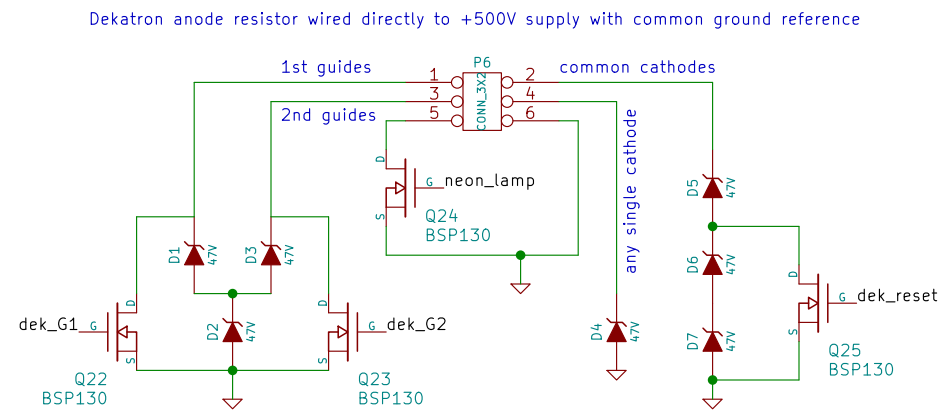


Four nixie anode resistors wired directly to +250V supply with common ground reference



Dekatron anode resistor wired directly to +500V supply with common ground reference